

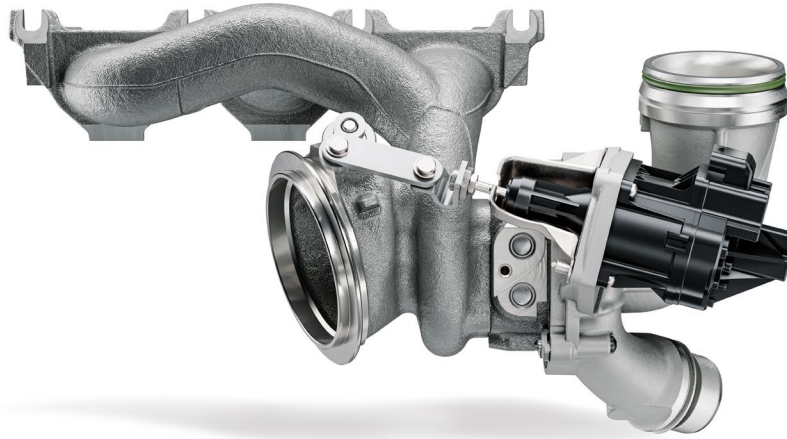
## Power amplifier from a single mold: Turbocharger for 1.5 l transversely installed gasoline engines of the BMW Group

This turbocharger with cast steel turbine housing and water-cooled bearing system consistently operates reliably, even at high exhaust gas temperatures. It has been in large-scale serial production since 2014. Since 2016, the BMW Group's 1.5-liter 170 kW gasoline engines equipped with this turbocharger model have constantly received various honors at the International Engine + Powertrain of the Year Awards in the 1.4-1.8-liter and under 150 hp classes.

### Technical specifications

- › Cast steel turbine housing with integrated exhaust manifold
- › Designed for high exhaust gas temperatures
- › Milled aluminum compressor wheel
- › Water-cooled, low-friction bearing system
- › Highly effective sealing system
- › High thermodynamic performance
- › Wear-optimized electric wastegate system for optimum charge pressure control

## Rear view



### Engine data

- > BMW 1,499 cm<sup>3</sup>, 3-cylinder
- > Torque: 220 Nm at 1,250 - 4,300 rpm
- > Power: 100 kW at 4,400 rpm
- > CO<sub>2</sub> emissions: 116 g/km

An overview of all Continental turbocharger models can be found on our website at:

[www.continental-aftermarket.com/turbochargers](http://www.continental-aftermarket.com/turbochargers)



Our authorized distributors offer you perfect service and support for all Continental turbocharger models. You can find a list of all our partners here:

[www.continental-aftermarket.com/turbocharger-specialists](http://www.continental-aftermarket.com/turbocharger-specialists)



### Ordering information

Manufacturer	OE numbers	Model series	Part number
BMW, MINI	11 65 2 681 211 11 65 8 600 045 11 65 9 895 978	<b>BMW:</b> 2  <b>MINI:</b> MINI, Clubman, Cabrio, Countryman	28 0001 3006 2 80